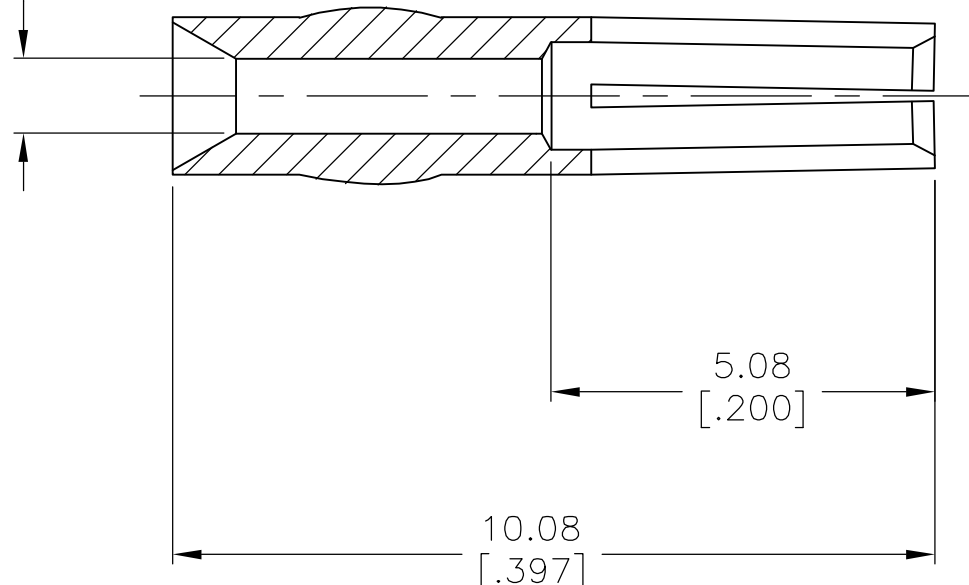


THIS DRAWING IS UNPUBLISHED. RELEASED FOR PUBLICATION
 © COPYRIGHT BY TYCO ELECTRONICS CORPORATION. ALL RIGHTS RESERVED.

LOC	DIST	REVISIONS					
AJ	16	P	LTR	DESCRIPTION	DATE	DWN	APVD
			H	REVISED PER ECO-06-005598	14MAR2006	KS	JL

ØA ±0.03 [.001]



- ① BERYLLIUM COPPER PER QQ-C-530
- ② GOLD PLATE PER MIL-G-45204, 1.27µm [.000050] MIN THICKNESS
- ③ GOLD PLATE PER MIL-G-45204, 0.76µm [.000030] MIN THICKNESS
- ④ GOLD PLATE PER MIL-G-45204, 2.54µm [.000100] MIN THICKNESS
- ⑤ SILVER PLATE PER QQ-S-365, 2.54µm [.000100] MIN THICKNESS
- ⑥ GOLD PLATE PER MIL-G-45204 1.27µm [.000050] MIN THK OVER COPPER PLATE PER MIL-C-14550A 2.54µm [.000100] MIN THK

0.99 [.039]	⑥	2-331369-6
0.99 [.039]	②	2-331369-5
1.09 [.043]	④	2-331369-4
0.99 [.039]	④	2-331369-3
0.99 [.039]	⑤	2-331369-2
1.09 [.043]	③	1-331369-7
0.99 [.039]	③	1-331369-6
1.09 [.043]	②	1-331369-2
0.99 [.039]	②	331369
A	FINISH	PART NUMBER

THIS DRAWING IS A CONTROLLED DOCUMENT.		DWN	S.J.MAGARO	9-20-89	tyco Electronics	Tyco Electronics Corporation Harrisburg, PA 17105-3608			
DIMENSIONS: mm [INCHES]		CHK	R.RUTH	10-5-89		NAME			
TOLERANCES UNLESS OTHERWISE SPECIFIED:		APVD	M.PHILLIPS	10-9-89	PRODUCT SPEC				
0 PLC ± -		APPLICATION SPEC		CONTACT, JACK, BNC					
1 PLC ± -		WEIGHT		SIZE					
2 PLC ± 0.13 [.005]		CUSTOMER DRAWING		A3		CAGE CODE		DRAWING NO	
3 PLC ± -		SCALE		10:1		SHEET		1 OF 1	
4 PLC ± -		RESTRICTED TO		-		REV		H	
ANGLES ± -		REV		H		REV		H	
MATERIAL		SEE NOTES		SEE NOTES		SCALE		10:1	
SEE NOTES		SEE NOTES		SEE NOTES		SHEET		1 OF 1	